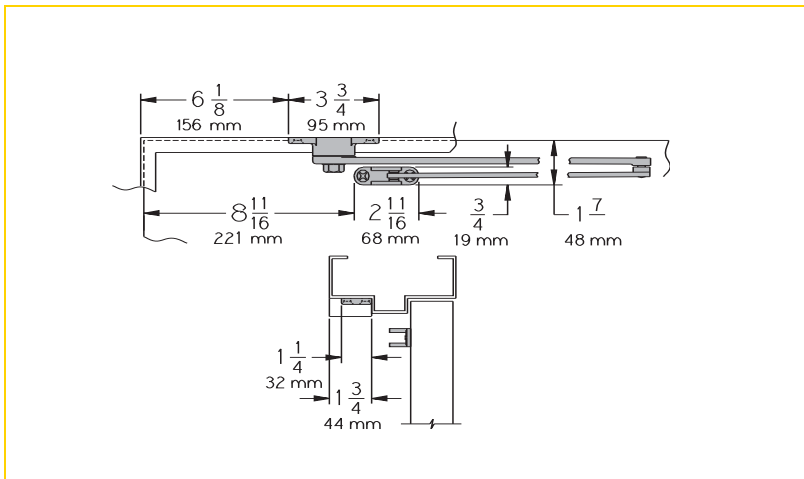


*The PAH 60 is recommended for use on the inactive leaf of a pair of doors where the active leaf has a door closer installed.*

*MAXIMUM OPENING  
Hold-open points up to 180°.*

- ▶ Standard holder shipped with wood and machine screw pack.
- ▶ Handed for right or left swinging doors.
- ▶ Standard or optional custom powder coat finishes.
- ▶ Hold-open point adjustable at the soffit shoe.
- ▶ Optional plated finish on holder and fasteners.
- ▶ Optional SRI primer for installations in corrosive conditions.



## HOW-TO-ORDER PAH 60 HOLDER

### 1. SPECIFY HAND.

- RH
- LH

### 2. SPECIFY FINISH.

- Standard Powder Coat \_\_\_\_\_  
Aluminum, Dark Bronze, Statuary,  
Light Bronze, Black, Brass.

### OPTIONAL ARM FINISH

- Custom Powder Coat (RAL) \_\_\_\_\_
- Plated Finish, US \_\_\_\_\_
- SRI primer

- ▶ **Butt Hinges** should not exceed 5" (127 mm).
- ▶ **Auxiliary Stop** recommended at hold-open point.
- ▶ **Top Rail** minimum 2" (51 mm).
- ▶ **Rabbet Depth** minimum 1 1/4" (32 mm).

